

STORAGE TYPE INFORMATION BROADCAST SYSTEM AND RECEPTION TERMINAL EQUIPMENT OF THE SYSTEM

Publication number: JP11196389 (A)

Publication date: 1999-07-21

Inventor(s): HARADA TAKENOSUKE; KATAOKA MITSUTERU; MASUDA ISAO; MACHIDA KAZUHIRO

Applicant(s): JISEDAI JOHO HOSO SYSTEM; MATSUSHITA ELECTRIC IND CO LTD

Classification:


- international: **H04N5/765; G06F17/30; H04H20/00; H04H60/27; H04H60/37; H04H60/40; H04H60/73; H04N5/445; H04N5/76; H04N5/781; H04N7/08; H04N7/081; H04N5/765; G06F17/30; H04N5/445; H04N5/76; H04N5/781; H04N7/08; H04N7/081; (IPC1-7): H04N7/08; H04H1/00; H04N5/445; H04N5/765; H04N5/781; H04N7/081**

- European:

Application number: JP19970368936 19971226

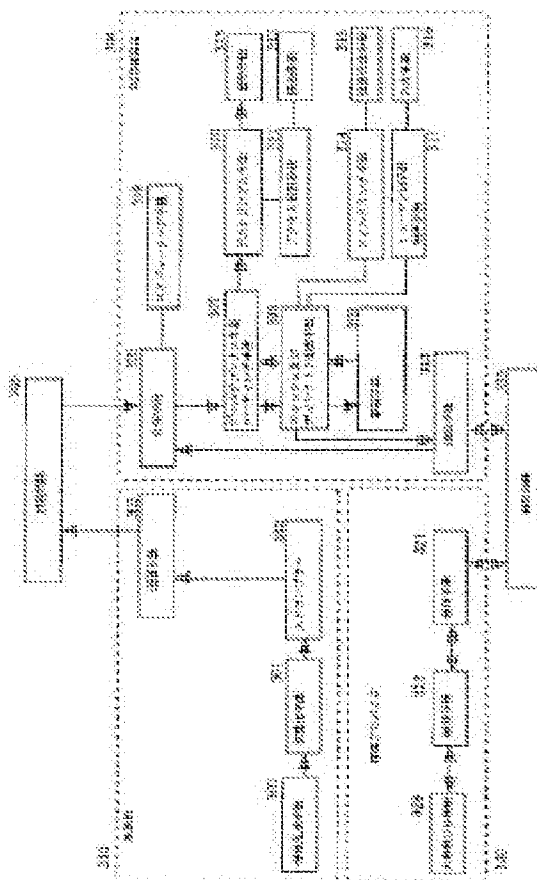
Priority number(s): JP19970368936 19971226

Also published as:

 JP3418540 (B2)

Abstract of JP 11196389 (A)

PROBLEM TO BE SOLVED: To provide a new data broadcast system where information in matching with preference of viewers is automatically stored and each viewer can view the information at a preferred time. **SOLUTION:** A broadcast station 330 multiplexes a digest program including tag information and contents of main body information onto main program information and broadcasts the resulting information. A filtering means 314 of a receiver terminal equipment 304 places priority on digests stored temporarily in a cache area of a storage means 309 by taking adaptability to user preference, an information value depending on time, and storage economy into account and the storage means 309 stores only digests selected based on the priority. The viewer enjoys the stored digests by displaying any on a display means 313 at a preferred time.



Data supplied from the **esp@cenet** database — Worldwide